

## Bottom-up Roller Blind Fitting Instructions

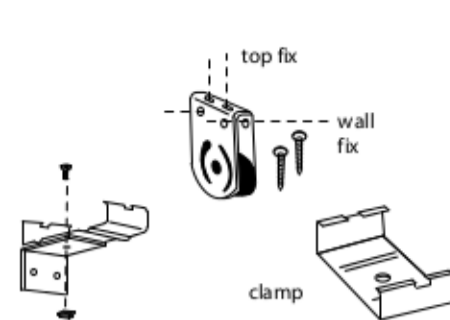
Your blind will be supplied with wall (face) or bottom fix brackets as per your order.

### 1. Components

2 x Pulley guides  
(and screws capable of  
being top or wall fixed)

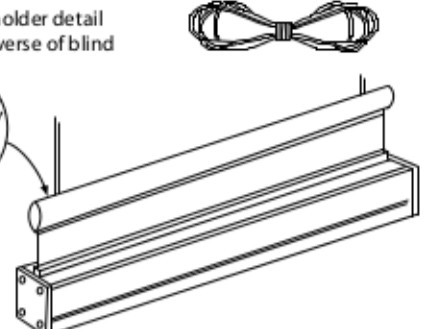
Wall-fix clamp with  
L-shape brackets

L-shape brackets



knother detail  
on reverse of blind

cleat (plus screws)



### 2. Fixing the Headbox

#### Wall (face) Fix

Attach the L- shape bracket to the clamps  
as shown above. We suggest fitting them 50mm  
either end of the recess - see illustration A.  
On blinds over 120cm you will be provided with  
a third bracket for fixing in the centre of the wall.

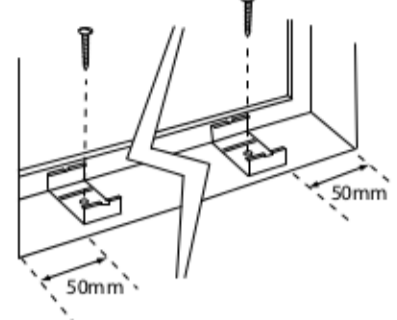
Place the front of the headbox into the clamp  
and snap the blind into position. Simply offer up  
the blind to the wall where you want to fit the blind.  
Mark with a pencil through the fixing holes of the  
L-shape section, drill and screw.

#### Bottom Fix

Clamps are supplied loose.  
Place the clamps on the window  
sill, we suggest fitting them 50mm  
from either end of the recess and  
on blinds over 120cm you will be  
provided with a third clamp for  
fixing in the centre of the window sill.

Pencil through the fixing holes,  
drill and screw. Place the front of the  
headbox into the bracket and snap  
the blind back into position.

#### Illustration A



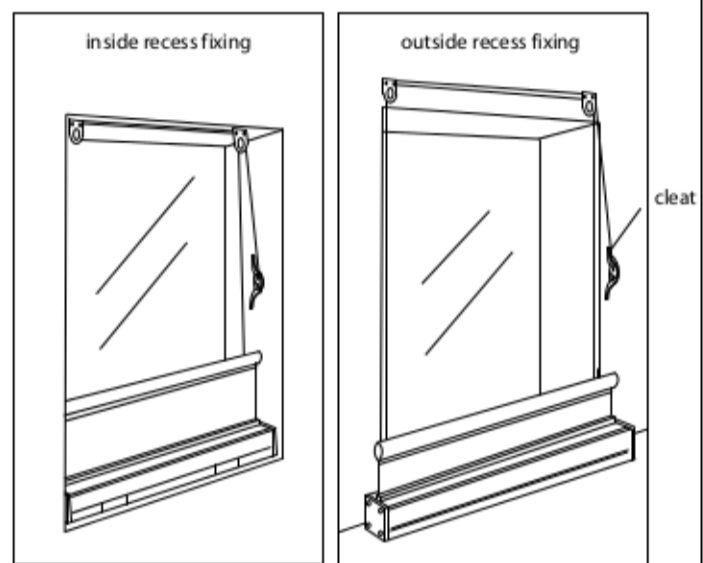
### 3. Fixing the pulley guides and cleat hook

- a) The 2 pulley guides supplied can be fixed inside the recess  
(to the ceiling) or outside the recess (to the wall) depending  
on how you fixed your headbox - see opposite.  
Please ensure that when attaching pulleys they align with the  
knot holders on the reverse of the blind. This will prevent the blind  
rolling up unevenly.
- b) Drill and screw the pulley guides at the given distance in from  
headbox to the first hole of the pulley guide - see chart below.  
This measurement is dependent on left or right hand operation.

	RH Pulley	LH Pulley
Right Hand Controlled	50mm	45mm
Left Hand Controlled	45mm	50mm

- c) Attach the cleat hook to the inside or outside of the recess  
at the preferred height.

PLEASE SEE OVER FOR FURTHER FITTING INSTRUCTIONS



## WARNING

PARENTS SHOULD KNOW THAT CHILDREN COULD ACCIDENTALLY STRANGLE IN WINDOW COVERING CORDS.  
KEEP CORDS OUT OF THE REACH OF CHILDREN

ISO QR12-009 BTM-UP - 1 / 14.4.2005

## Bottom-up Roller Blind Fitting Instructions

### 4. Cording the blind (for right hand controlled blinds)

- a) Slightly loosen the screws of the left hand knother  
attached to the reverse of the blind. Insert one end of  
the cord provided through the front of the knother,  
tie a knot and trim off to fit neatly in the knother.  
Re-attach the knother, tightening the screws.
- b) Guide the cord up and then through the left hand side  
of the left hand pulley guide. Follow the cord across to the  
right hand pulley and thread through.  
Pull the cord down the right hand side of your window,  
creating a loop around the cleat you have previously  
fitted, before returning back up through the right hand  
side of the right hand pulley.

Then, simply return the cord to the right hand side of the  
blind. If you are happy with the length of your operation  
cord (loop), insert the cord through the front of the knother  
(as before). Tie a knot, cut through the end of the cord and  
tighten the screws.

#### Cording the blind (for left hand controlled blinds)

Begin by attaching the cord to the right hand knother  
and cord the blind in the opposite direction to a) and b)  
on the left, replacing the word 'left' with 'right' and vice versa.

### 5. To re-tension the blind (may not be necessary)

The spring in the headbox should already be tensioned.  
If adjustment is required, follow these instructions.

If the blind rolls down too quickly, use a screwdriver to press  
and turn the screw on the right hand side of the box in an  
anticlockwise direction. If the blind rolls down too slowly or  
not far enough, press and turn the screw in a clockwise direction.



## WARNING

PARENTS SHOULD KNOW THAT CHILDREN COULD ACCIDENTALLY STRANGLE IN WINDOW COVERING CORDS.  
KEEP CORDS OUT OF THE REACH OF CHILDREN