

How to fit and operate your Double Roller Blind

Getting started

YOU WILL NEED:

- A drill with correct bit
- A crossheaded screwdriver
- A metal tape measure
- A pencil

- Your brackets are packed separately in the box. Please ensure you've located them before disposing of the packaging.
- The brackets are a universal type that can be used to top fix the blind into a recess or face fix into a frame or a wall.
- Please read the following instructions carefully before you start fitting your blind.

Operating your blind:

Operating your blind is easy. Just follow these instructions.

- On a chain operated blind, simply pull the chain to move the blind up and down.

1

To fix the brackets

1. To work out the distance required between each bracket you will need to first measure the fabric width, e.g. 1500mm. Add to this an allowance for the control and idle end of 33mm, e.g. = 1535mm.

2. 1535mm would be the measurement from the outside of one bracket to the outside of the other bracket. (Fig.3)

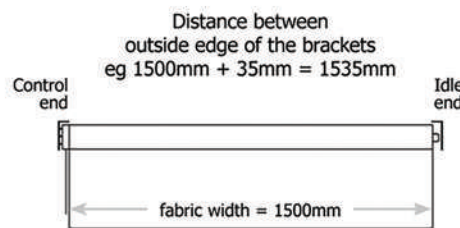


Fig.3

3. Use this figure to position the outside of your brackets accordingly whether inside of the recess (Fig.4) or outside of the recess (Fig.5)

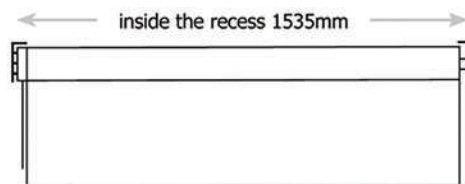


Fig.4

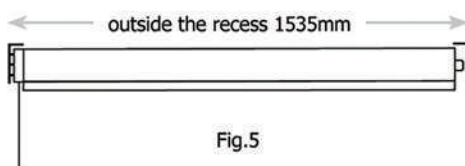


Fig.5

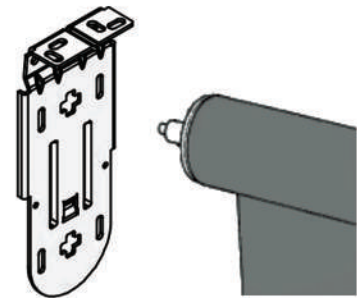
4. Mark the hole positions before drilling and plugging if necessary. Use two screws in each bracket ensuring that the brackets are level. Remember to allow room for the blind to clear any obstacles when deployed, e.g. door or window handles.

2

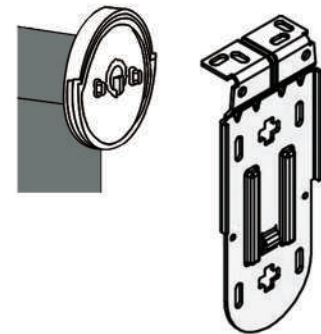
To fit the blind

1. Once the brackets have been fitted the blind can be inserted into the brackets. Note – for conventional roller blinds the fabric comes down from the back of the blind and for reverse roll blinds the fabric hangs from the front of the blind.

2. With the fabric rolled around the tubes, offer the idle end (the end with the pin) into the idle end bracket.



3. With the idle end in place offer the control end to the opposite bracket and secure the blind in place ensuring that the centre lug has dropped into the slot on the bracket.



Safety tips:

There are things that you can do to reduce risk in your home.

- Move beds, cots and furniture away from the window.
- Do not let cords or chains hang loose. Make sure they are kept out of reach of children at all times.
- Do not tie loose cords and chains together.
- Check the condition of all safety devices if not used regularly and replace if the device is faulty.

3

To fit & use child safety devices - Warning

Blinds can be potentially dangerous to small children. Please be aware that swallowing small parts can cause internal asphyxiation. Looped or low hanging cords, chains or tapes can create hazardous loops which could lead to the risk of strangulation. We do everything we can to ensure your chosen product is child safe. As a minimum all of our blinds meet the European Standard BS EN 13120 for safety.

The information below gives guidance for fitting the provided child safety devices. All safety devices must be correctly installed for the protection from strangulation of young children and the proper use of the blind. Please read the instructions carefully and keep safe for future reference.

Only use the devices and cords provided with your blind. Videos showing how to fit and reconnect child safety devices are available, along with replacements at www.makeitchildsafe.co.uk.

4

Sidewinder Roller without breakaway chain

This safety device has been tested for compliance to BS EN 16434:2014, including UV testing, for adhesion to a solid, flat wall surface.

If your wall is not flat/smooth, for example if it has a textured wallpaper or is bare brick, please contact us and we will supply an alternative safety device that can be screwed into the wall.

Fitting the safety clip

1. Clean the area where the clip will be applied with the alcohol wipe provided and allow to dry fully
2. Ensure the chain is threaded through the clip, then remove the backings from the two adhesive pads.
3. Position the clip so that the chain is taught and firmly press the adhesive pads onto the clean, dry wall surface.
4. Maximum adhesion will be achieved within 72 hours.



Sidewinder Roller with breakaway chain

The breakaway chain connector allows the chain to break apart if any reasonable force is placed on the loop. With this type of chain a safety hook or 'P clip' is not required.

To reconnect the chain breakaway connector

1. Check that the connector is not damaged.
2. Simply push the two halves back together again, until they click into place.

